



Gateway Series

Bridging IT and OT

Gateway Series

IIoT communication gateways convert PLC data/protocols from various brands to Modbus / OPC UA / MQTT protocol standards, which is just what you need for system integration.



Industrial Protocol Standards

Supports Modbus TCP/IP and OPC UA that facilitate communication between different types of devices and system integration.



Remote Access Service

EasyAccess 2.0 supports remote access and PLC pass-through, allowing remote HMI monitoring and project maintenance...etc.



Third-party Cloud Platforms

Supports connection with third-party cloud platforms: AWS, Azure, Alibaba Cloud and others that support MQTT.



400+ Communication Protocols

Supports major PLC brands, including the exclusive support of Siemens S7-1200/1500, OMRON NJ/NX Series... etc.



Event / Alarm Push Notification

Supports push notifications sent to your device by an APP of your choice, be it EasyAccess 2.0, Messenger, Telegram, or WeChat.



OPC UA Server

Supports access management of tags to enable access to Gateway /PLC data for OPC UA Client.

400+ Protocols

Factory PLC

OPC UA
Modbus
MQTT



Gateway



ERP, MES, SCADA




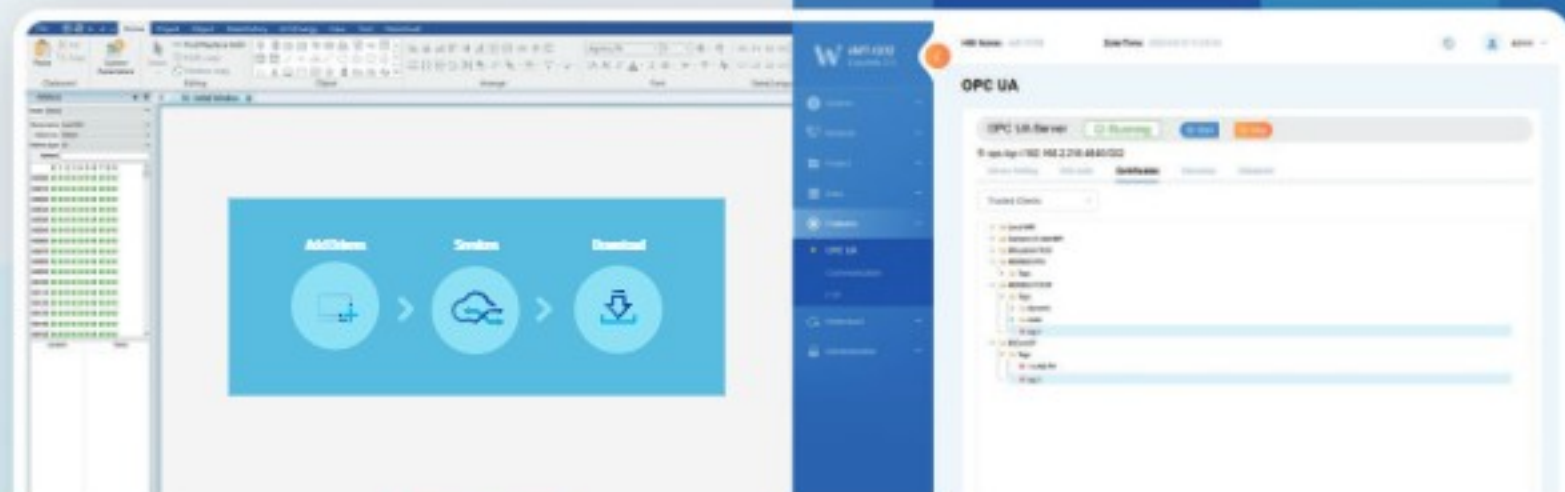
Check the Protocols

Configuration is so Easy

The intuitive graphical UI simplifies configuration to a few easy steps.

 EasyBuilder Pro

 EasyWeb 2.0



Gateway Advantages

Gateway Series enables network connectivity for different devices at low cost and with great flexibility.



Functions

A wide variety of protocols helps to integrate different devices in the system.

Cost

There is no need to develop protocols. EasyBuilder Pro is all you need to get the Gateway Series to communicate with PLCs.

Flexibility

Additional features such as data processing, database connectivity, and remote monitoring...etc, further add flexibility to system planning.



Specifications

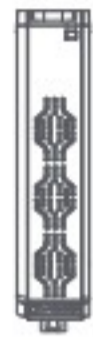
Model		cMT-G01X	cMT-G02X	cMT-G04
Memory	Flash	256 MB	256 MB	256 MB
	RAM	256 MB	256 MB	256 MB
Processor		Quad-core RISC	Quad-core RISC	Single-core RISC
I/O Port	USB Host	USB 2.0 x 1	USB 2.0 x 1	N/A
	Ethernet	10/100 Base-T x 2	10/100 Base-T x 1	LAN: 10/100 Base-T x 1 SW1, SW2: 10/100 Base-T x 1 (2 port Ethernet switch)
	WiFi	N/A	IEEE 802.11 b/g/n 802.11b: max 19.52 dBm 802.11g: max 15.35 dBm 802.11n: max 15.28 dBm	N/A
	COM Port	COM1: RS-232 2W COM2: RS-485 2W/4W COM3: RS-485 2W	COM1: RS-232 2W COM2: RS-485 2W/4W COM3: RS-485 2W	N/A
RTC		Built-in	Built-in	Built-in
Power	Input Power	24±20%VDC	24±20%VDC	10.5~28VDC
	Power Isolation	Built-in	Built-in	Built-in
	Power Consumption	230mA@24VDC	450mA@24VDC	270mA@12VDC ; 150mA@24VDC
	Voltage Resistance	500VAC (1 min.)	500VAC (1 min.)	500VAC (1 min.)
	Isolation Resistance	Exceed 50MΩ @ 500VDC	Exceed 50MΩ @ 500VDC	Exceed 50MΩ @ 500VDC
Specification	PCB Coating	Yes	Yes	Yes
	Enclosure	Plastic	Plastic	Plastic
	Dimensions WxHxD	27 x 130 x 115 mm	27 x 130 x 115 mm	27 x 109 x 81 mm
	Weight	Approx. 0.18 kg	Approx. 0.18 kg	Approx. 0.14 kg
	Mount	35 mm DIN rail mounting	35 mm DIN rail mounting	35 mm DIN rail mounting
Environment	Protection Structure	IP20	IP20	IP20
	Storage Temperature	-20° ~ 70° C (-4° ~ 158° F)	-20° ~ 70° C (-4° ~ 158° F)	-20° ~ 60° C (-4° ~ 140° F)
	Operating Temperature	-20° ~ 55° C (-4° ~ 131° F)	-20° ~ 55° C (-4° ~ 131° F)	0° ~ 50° C (32° ~ 122° F)
	Relative Humidity	10% ~ 90% (non-condensing)	10% ~ 90% (non-condensing)	10% ~ 90% (non-condensing)
	Altitude	3,000 m	3,000 m	3,000 m
	Vibration Endurance	10 to 25Hz (X, Y, Z direction 2G 30 minutes)	10 to 25Hz (X, Y, Z direction 2G 30 minutes)	10 to 25Hz (X, Y, Z direction 2G 30 minutes)
Certificate	CE	CE marked	CE marked	CE marked
	UL	cULus Listed	cULus Listed	cULus Listed
Software	Weincloud	EasyAccess 2.0 (Optional)	EasyAccess 2.0 (Optional)	EasyAccess 2.0 (Optional)

Dimensions

cMT-G01X

cMT-G02X

cMT-G04



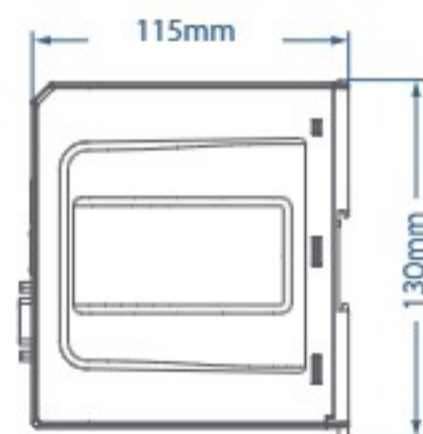
Top View



Front View



Bottom View



Side View



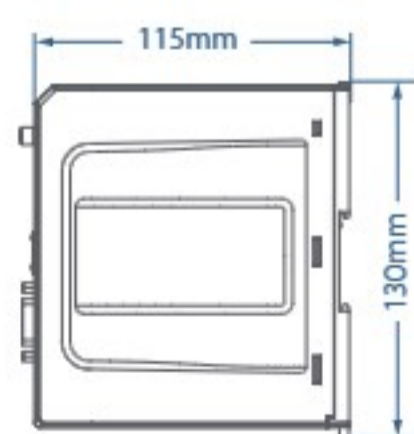
Top View



Front View



Bottom View



Side View



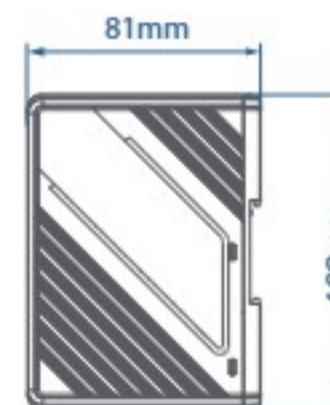
Top View



Front View



Bottom View



Side View

Selected Communication Protocols

Beckhoff	TwinCAT PLC (Ethernet) ADS/AMS (Ethernet)
BACnet	BACnet/IP ; IP Server BACnet/MSTP ; MSTP Server
CODESYS	V2 (Absolute/Symbolic Addressing) V3 (Ethernet)
FANUC	0i/30i/31i/32i/35i Series (Ethernet)
KNX	KNXnet/IP
KEYENCE	KV-8000/KV-X (Symbolic) (Ethernet) KV-10/16/24/40/80/Visual KV Series
LS	GLOFA FEnet (Ethernet) MASTER-K (MODBUS RTU ; Cnet ; CPU Direct) XBM/XBC FEnet (Ethernet) XEC/XGI/XGK FEnet (Ethernet)
MODBUS	Modbus ASCII ; RTU ; TCP/IP
Mitsubishi	AJ71 (AnA/AnU CPU) FX3U (Ethernet) ; FX3U/FX3G/FX3GA FX5U Binary Mode ; FX5U ASCII Mode (Ethernet) M70 ; M80 ; M80 CNC (Ethernet) iQ-R Series (Absolute/Symbolic Addressing) (Ethernet) Q00U/Q01U/Q02U/QnUD/QnUDH QJ71E71 (Ethernet) QnA Series
OMRON	CJ/CS/CP (Ethernet - FINS/TCP) Ethernet (FINS/TCP) EtherNet/IP (NJ/NX Series)
OPC UA	OPC UA Client
Panasonic	FP/KW ; FP/FP2 (Ethernet)
Rockwell	EtherNet/IP (CompactLogix/ControlLogix)
Siemens	Siemens S7-1200/S7-1500 (Absolute/Symbolic Addressing) (Ethernet) S7-200 PPI ; S7-300 MPI
Schneider	M340/M580 Series (Symbolic Addressing) (Ethernet) SoMachine M Series (Ethernet)
YASKAWA	MP Series MP3000 Series - Extension (Ethernet)



Check the Protocols



WEINTEK

Proudly serving North American Manufacturers, OEMs and System Integrators by providing leading edge graphic operator interfaces (AKA Human Machine Interfaces). Following the tradition of Weintek Labs., Inc. (founded in 1995); our company leverages decades of experience as HMI specialists leading the industry with undisputed state-of-the-art technology. Our mission is to look beyond the norm to provide our customers with high quality products, world-class service and efficient control automation solutions.




Weintek USA, Inc.

Website: www.weintekusa.com

Phone: +1-425-488-1100 Fax: +1-425-415-6206

Sales: sales@weintekusa.com Technical Support: support@weintekusa.com

Address: Weintek USA, Inc. 6219 NE 181st Street, Suite # 120 Kenmore, WA 98028

    **RoHS** ISO 9001:2015 ENG / 2026.01.05

WEINTEK and the WEINTEK logos are trademarks or registered trademarks of Weintek Labs., Inc. in many countries.

© 2026 All rights reserved by Weintek Labs., Inc.